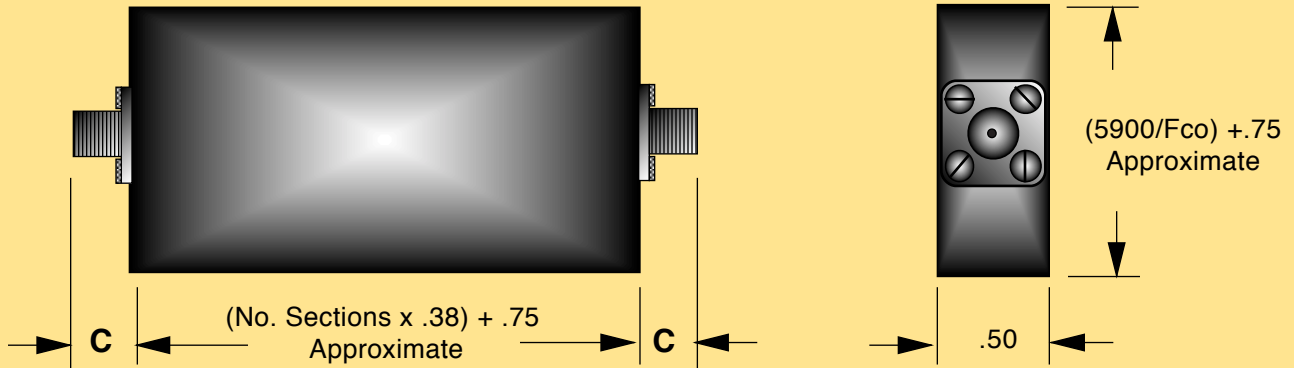


4410-A Hawkins St. NE  
 Albuquerque New Mexico 87109  
 (505) 345-1486 / Fax (928) 776-4208  
 e-mail: sales@filteklfilters.com

**Suspended Substrate Highpass  
 HP35 Series  
 4000 to 10000 MHz**



The size shown is a standard used by FILTEK to facilitate a low cost, easily reproducible unit. Should you require another size, please submit all of your requirements - both electrical and mechanical. This will enable FILTEK to quote the optimum design for your application.

**Specifications**

**Electrical**

- Cutoff Frequency (Fco)
- Number of Sections Available
- Nominal Impedance
- Maximum VSWR
- Maximum Fco Insertion Loss
- Stopband Attenuation
- Average Power (Watts Max to 10K Feet)
- Peak Power (Watts Max to 10K Feet)

**STANDARD**

No Standard Model  
 Contact Filtek Sales  
 for quote

**SPECIAL**

4000 to 10000 Mhz  
 2 to 6  
 50 Ohms  
 1.5/1  
 See Chart Below  
 See Curve Page 50\*  
 5  
 50

**Insertion Loss**

The Maximum Insertion Loss in the passband is equal to:

$(\text{Loss Factor} \times \text{Number of Sections}) + .05 \text{ dB}$

Example:

The Maximum loss for a 4 Section HP35 Series filter with Fco at 5000 MHz is:

$(.24 \times 4) + .05 = 1.0\text{dB}$

Cutoff Frequency (MHz)	4000 to 5000	5001 to 6000	6001 to 10000
<b>Loss Factor</b>	<b>.24</b>	<b>.23</b>	<b>.22</b>

**Environmental**

- Vibration (10 to 2000 Hz)
- Shock (11 mSec)
- Humidity
- Operating Temperature
- Non-Operating Temperature

**STANDARD**

5 G  
 15 G  
 90% Relative  
 0° to +50°C  
 -25° to +75°C

**SPECIAL**

30 G  
 75 G  
 100% Relative  
 -25° to +100°C  
 -54° to +125°C