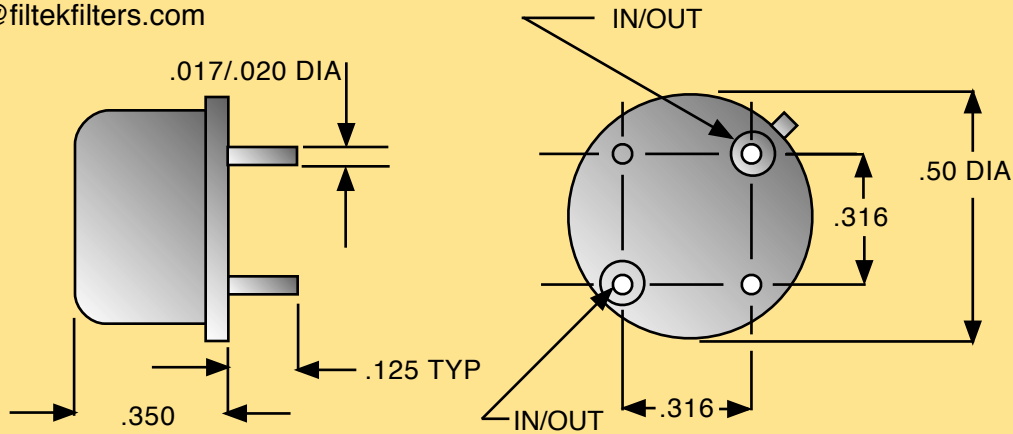


4410-A Hawkins St. NE
 Albuquerque New Mexico 87109
 (505) 345-1486 / Fax (928) 776-4208
 e-mail: sales@filteklfilters.com

**Lumped Element Highpass
 HP13 Series
 250 to 3500 MHz**



The size shown is a standard used by FILTEK to facilitate a low cost, easily reproducible unit. Should you require another size, please submit all of your requirements - both electrical and mechanical. This will enable FILTEK to quote the optimum design for your application.

Specifications

Electrical

Cutoff Frequency (Fco)
 Number of Sections Available
 Nominal Impedance
 Maximum VSWR
 Maximum Fco Insertion Loss
 Stopband Attenuation
 Average Power (Watts Max to 10K Feet)
 Peak Power (Watts Max to 10K Feet)

STANDARD

300 to 2000 MHz
 3 or 4
 50 Ohms
 1.5/1
 See Chart Below
 See Curve page 50*
 1
 5

SPECIAL

250 to 3500 Mhz
 2 to 5
 75 or 100 Ohms
 1.25/1
 See Chart Below
 See Curve Page 50*
 5
 25

*Page 50 in Full Catalog

Insertion Loss

The Maximum Insertion Loss in the passband is equal to:

(Loss Factor X Number of Sections) + .05 dB

Example:

The Maximum loss for a 3 Section HP13 Series filter with Fco at 500 MHz is:

$(.50 \times 3) + .05 = 1.6\text{dB}$

Cutoff Frequency (MHz)	250 to 300	301 to 400	401 to 500	501 to 1000	1001 to 2500
Loss Factor	.64	.56	.50	.42	.36

Environmental

Vibration (10 to 2000 Hz)
 Shock (11 mSec)
 Humidity
 Operating Temperature
 Non-Operating Temperature

STANDARD

5 G
 15 G
 90% Relative
 0° to +50°C
 -25° to +75°C

SPECIAL

10 G
 30 G
 100% Relative
 -25° to +100°C
 -54° to +125°C