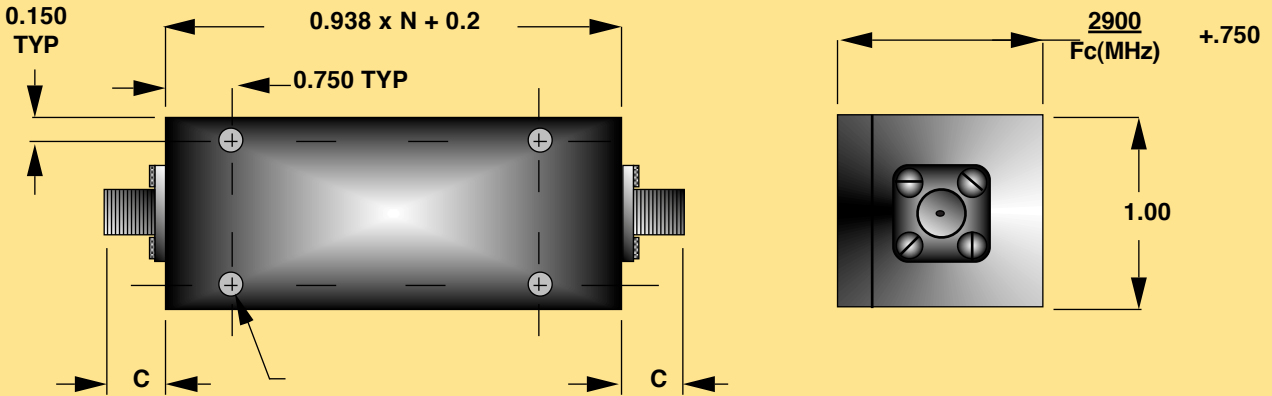


4410-A Hawkins St. NE  
 Albuquerque New Mexico 87109  
 (505) 345-1486 / Fax (928) 776-4208  
 e-mail: sales@filteklfilters.com

**Cavity Bandpass  
 BP24 Series  
 800 to 5000 MHz**



See Page 12 of the full catalog for 'C' dimensions. The size shown is a standard used by FILTEK to facilitate a low cost, easily reproducible unit. Should you require another size, please submit all of your requirements - both electrical and mechanical. This will enable FILTEK to quote the optimum design for your application.

**Specifications**

**Electrical**

- Center Frequency (Fc)
- 3dB Relative Bandwidth (% of Fc)
- Number of Sections Available
- Nominal Impedance
- Maximum VSWR
- Maximum Fc Insertion Loss
- Stopband Attenuation
- Average Power (Watts Max to 10K Feet)
- Peak Power (Watts Max to 10K Feet)

**STANDARD**

- 1000 to 3000 MHz
- 0.3 to 3
- 3 to 6
- 50 Ohms
- 1.5/1
- See Chart Below
- See Curve page 32\*
- 25% of Peak
- 15 X % BW

**SPECIAL**

- 800 to 5000 Mhz
- 0.3 to 3.5
- 2 to 8
- 50 Ohms
- 1.25/1
- See Chart Below
- See Curve Page 32\*
- 75
- 300

\*Page 32 in Full Catalog

**Insertion Loss**

The Maximum Insertion Loss at Center Frequency is equal to:

$$\frac{\text{Loss Factor} \times (\text{Number of Sections} + 0.5)}{\% \text{ 3dB Bandwidth}} + 0.1$$

Example:

The Maximum loss for a 5 Section BP24 Series filter with Fc at 2000 MHz and a 3dB Bandwidth of 20 MHz is:

$$(0.22 \times 5.5) / 1 + 0.1 = 1.31\text{dB}$$

Center Frequency (MHz)	1000 to 1100	1101 to 1250	1251 to 1500	1501 to 2000	2001 to 3000
<b>Loss Factor</b>	<b>.25</b>	<b>.24</b>	<b>.23</b>	<b>.22</b>	<b>.20</b>

**Environmental**

- Vibration (10 to 2000 Hz)
- Shock (11 mSec)
- Humidity
- Operating Temperature
- Non-Operating Temperature

**STANDARD**

- 10 G
- 25 G
- 90% Relative
- 0° to +50°C
- 25° to +75°C

**SPECIAL**

- 30 G
- 75 G
- 100% Relative
- 25° to +100°C
- 54° to +125°C